

Wedge Stirrup Connectors

AFL Wedge Stirrup Connectors are designed to protect the conductor from damage caused by arcing in applications where hotline clamps are attached. The bolted wedge technology makes installations quicker, easier and safer when compared with traditional tap connectors by eliminating the need for specialized tooling for the same type of connection. Once the appropriate pressure is obtained by the wedge, the breakaway bolt will shear off giving a visual indication that a correct installation has been made.

The connector is rated for the full current of the conductors within its range. As the conductors expand and contract under thermal cycling, the C-shaped body operates within the elastic region of its mechanical properties, allowing the connection to maintain constant pressure, resulting in reliability of performance.

This connector is reusable and can easily be removed by backing out the bolt, which will drive out the wedge. AFL recommends replacing the bolt and applying more inhibitor grease when reusing.

The wedge stirrup connectors are comprised of high strength aluminum castings, a breakaway bolt, a tin-plated copper bail and a highly conductive aluminum interface, providing a secure, reliable solution with an installation that is both fast and simple.

Standard Packaging

BODY	QUANTITY	WEIGHT
SCA	25	25 lbs
SCB	10	27 lbs

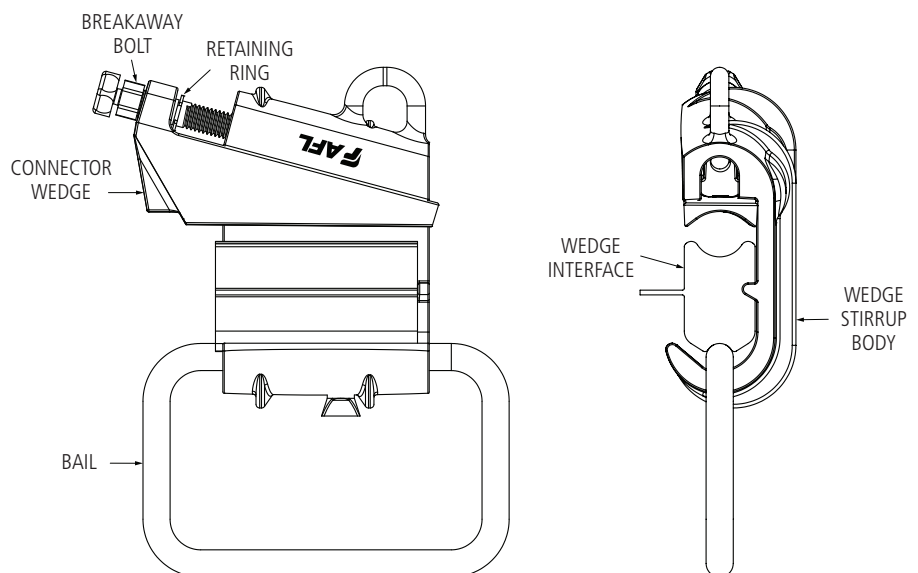
Qualifications

GOVERNING BODY	STANDARD CODE
ANSI	C119.4

Contact AFL for further details.

Features

- Material
 - Wedge Stirrup Body—Aluminum Alloy
 - Connector Wedge—Aluminum Alloy
 - Wedge Interface—6101-T6
 - Bail—Copper Alloy (Tin Plated)
 - Breakaway Bolt—Aluminum
 - Retaining Ring—Steel
- Breakaway Bolt Torque:
 - SCA: 10 ft-lbs
 - SCB: 12 ft-lbs
- For use on ACSR, AAC and AAAC conductors
- Bolt Head sizes: 5/8" and 3/4"



*** Not rated for HT Conductors**

continued
→

Wedge Stirrup Connectors (cont.)

Ordering Information

LINE NO.	AFL NO.	CONDUCTOR		BAIL SIZE	BAIL AMPACITY	CPI NO.
		SIZE	DIAMETER RANGE			
1	SCA-162/292B1	#6, #4, #2 AAC	0.162" - 0.292"	1/0	550	102011
2	SCA-292/398B1	#2, #1, 1/0	0.292" - 0.398"			102010
3	SCA-414/522B1	2/0, 3/0, 4/0 AAC	0.414" - 0.522"			102009
4	SCA-502/574B1	3/0 ACSR, 250, 4/0	0.502" - 0.574"			264124
5	SCA-586/724B1	266.8, 300, 336.4, 397.5 AAC	0.586" - 0.724"			336915-1
6	SCB-642/743B2	266.8 ACSR 26/7, 336.4, 397.5 AAC, 397.5 ACSR 18/1	0.642" - 0.743"	2/0	850	336875
7	SCB-642/743B4			4/0	—	336780
8	SCB-769/883B2	450, 397.5 ACSR, 477, 500, 556.5 AAC, 556.5 ACSR 18/1	0.769" - 0.883"	2/0	850	556580
9	SCB-769/883B4			4/0	—	556595
10	SCB-856/991B2	477 ACSR 26/7 30/7, 556.5, 600, 636, 605, 715 AAC	0.856" - 0.991"	2/0	850	636556
11	SCB-856/991B4			4/0	—	636556-1
12	SCB-990/1108B2	636 ACSR, 750, 666.6, 715, 795, 900	0.990" - 1.108"	2/0	850	795500
13	SCB-990/1108B4			4/0	—	795405
14	SCB-1036/1162B2	715.5 ACSR, 795 ACSR, 900, 954, 1113 AAC, 1000	1.036" - 1.162"	2/0	850	103228
15	SCB-1036/1162B4			4/0	—	103228-1
16	SCB-1124/1302B2	954, 1113, 900 ACSR, 1033.5, 1113, 1272 AAC	1.124" - 1.302"	2/0	850	119375
17	SCB-1124/1302B4			4/0	—	119375-1

* For Replacement Breakaway Bolts, see page 17 of the TAPLINK® catalog for ordering information.